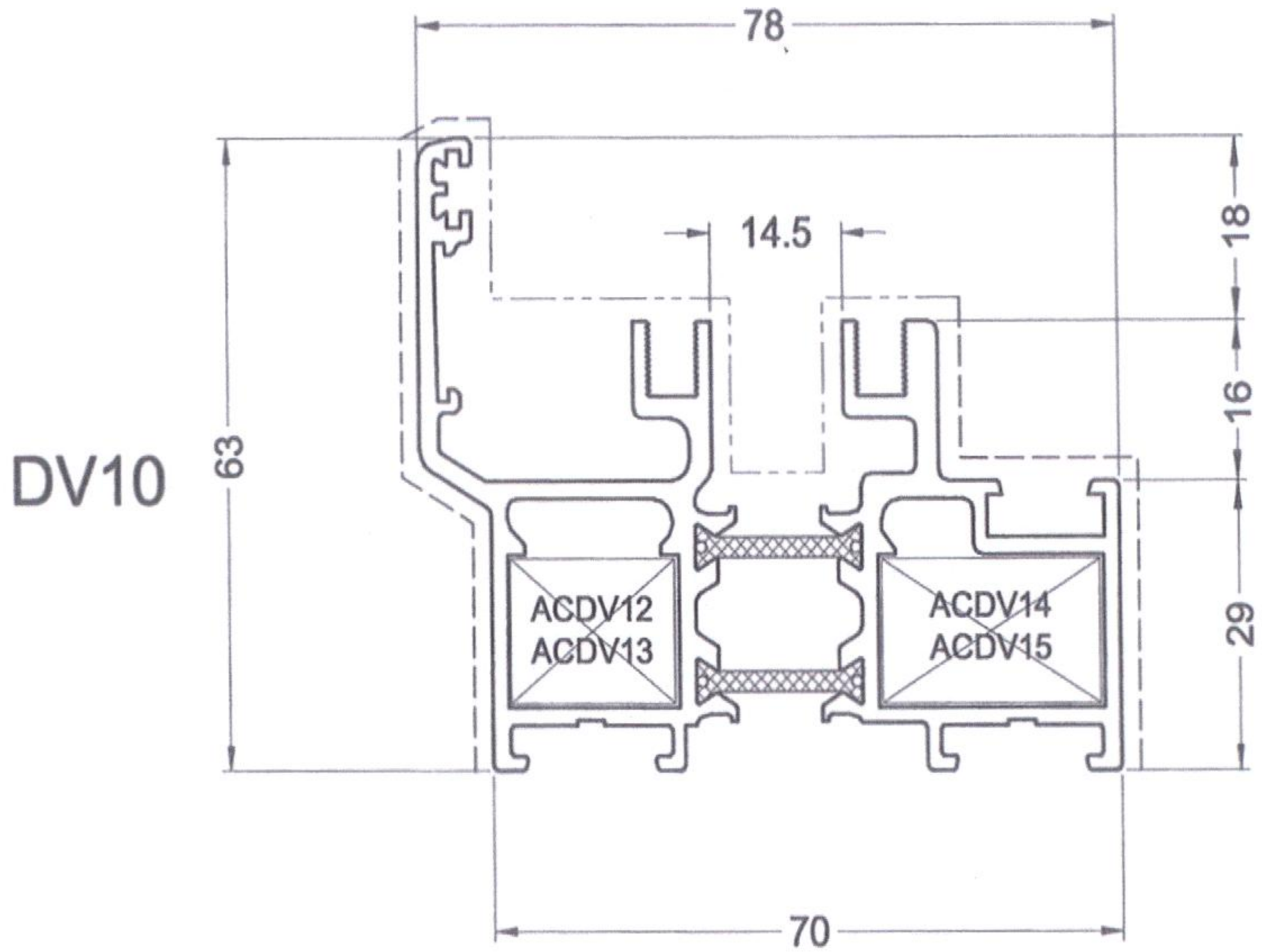
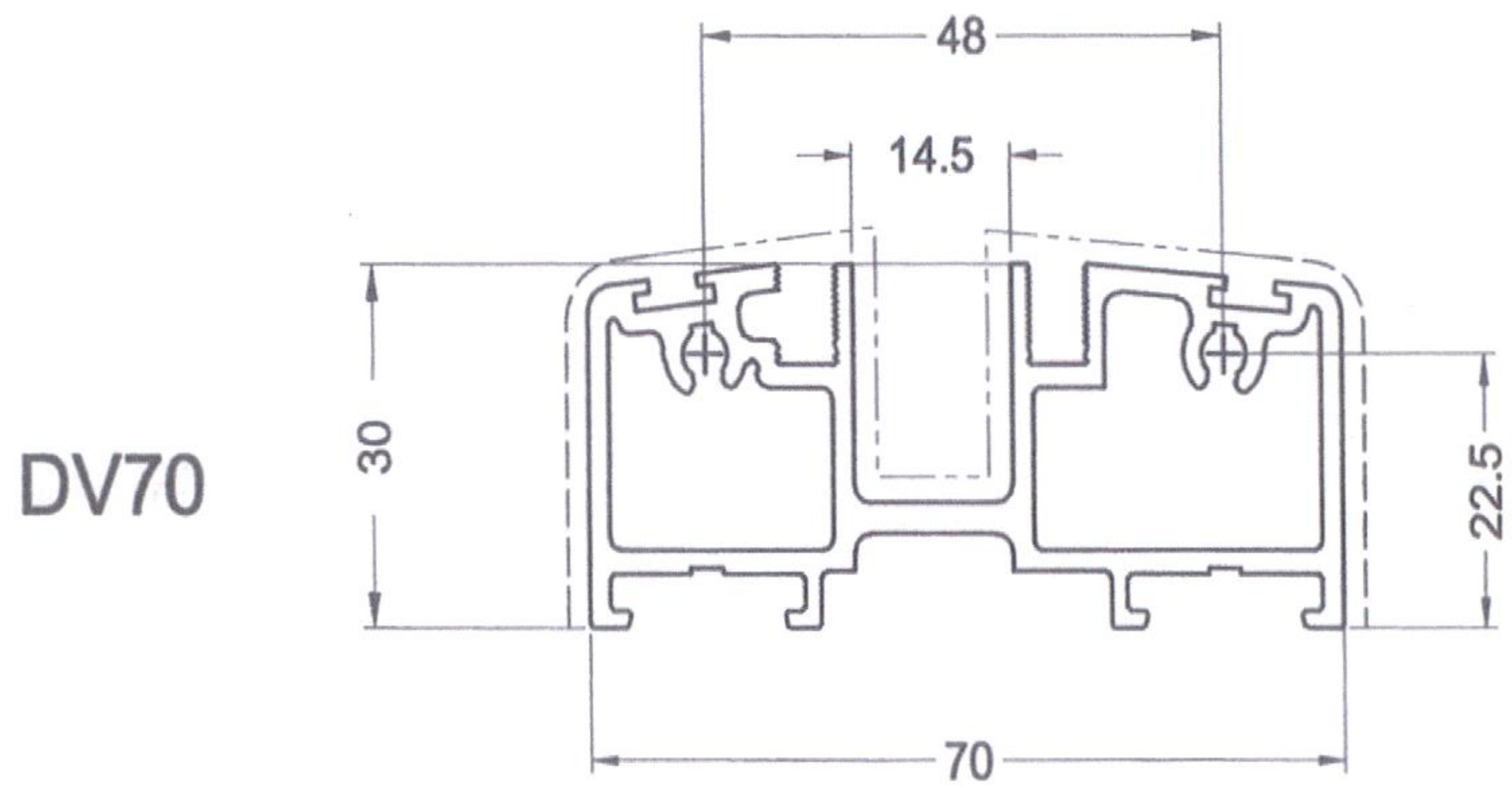


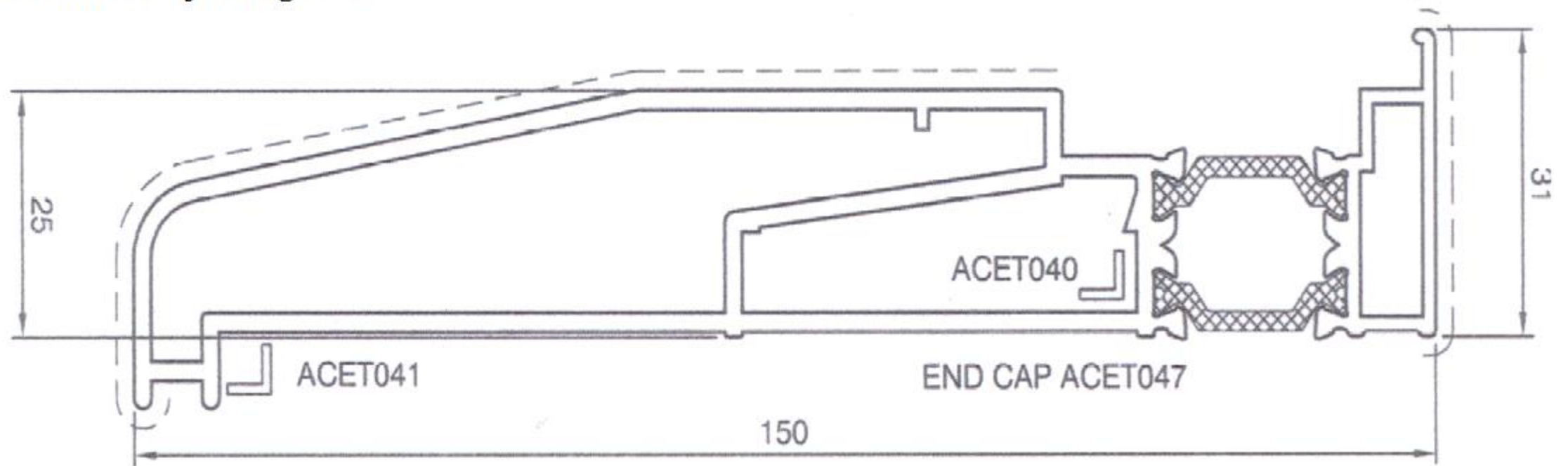
*Weathered Threshold*



*Low Threshold(non-weathered)*



*150mm Projecting Cill*



*190mm Projecting Cill*

